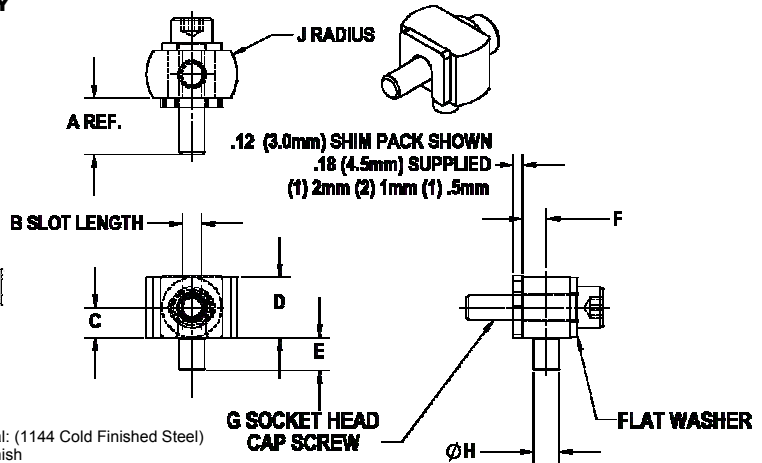
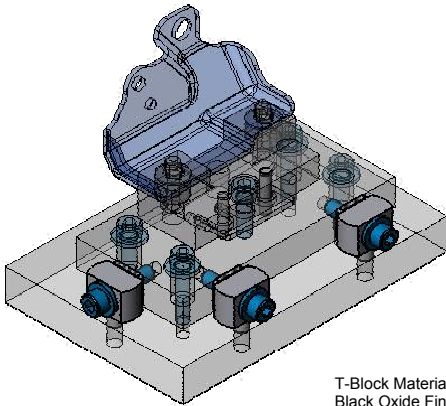
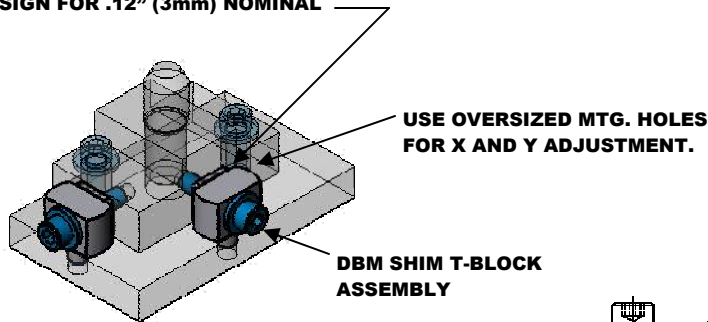




# dbm Shim T-Block

A compact shim block designed to adjust locator details on welding and other fixtures and machinery. Two sizes are available in choice of metric or inch. The DBM Shim T-Block comes complete with socket head cap screw, washer and shim pack.

**.18" (4.5mm) THICK SHIM PACK SUPPLIED.  
DESIGN FOR .12" (3mm) NOMINAL**



T-Block Material: (1144 Cold Finished Steel)  
Black Oxide Finish

Shim Pack Material: (1010 Cold Finished Steel)  
Black Oxide Finish

## DIMENSIONS

| PART NO. | SB-6A                  | SB-8A                  | SB-1/4A                 | SB-5/16A                 |
|----------|------------------------|------------------------|-------------------------|--------------------------|
| SIZE     | 6 millimeter           | 8 millimeter           | 1/4 inch                | 5/16 inch                |
| A        | 13.2                   | 17.8                   | 0.52                    | 0.70                     |
| B        | 6.1                    | 7.9                    | 0.24                    | 0.31                     |
| C        | 7.9                    | 9.6                    | 0.31                    | 0.38                     |
| D        | 16.0                   | 19.0                   | 0.63                    | 0.75                     |
| E        | 7.9                    | 10.4                   | 0.31                    | 0.41                     |
| F        | 5.1                    | 7.6                    | 0.20                    | 0.30                     |
| G        | SHCS M6-1.00 X<br>25LG | SHCS M8-1.25 X<br>35LG | SHCS 1/4-20 X<br>1.00LG | SHCS 5/16-18 X<br>1.38LG |
| H        | 6mm +0/-0.025          | 8mm +0/-0.025          | .236"+0/-0.001          | .315"+0/-0.001           |
| J        | 11.1                   | 14.2                   | 0.44                    | 0.56                     |

The specifications and data in this publication are believed to be accurate and reliable. It is the responsibility of the product user to determine the suitability of DBM Innovation Inc. products for a specific application. While defective products will be replaced with no charge if promptly returned, no liability is assumed beyond such replacement. Specifications subject to change without notice.

© 2008 DBM Innovation Inc. All rights reserved.

03/24/2008

**dbm**  
INNOVATION INC.

N63 W23583 Main Street  
Post Office Box 482  
Sussex, WI 53089  
(262) 246-8075  
FAX: (262) 246-9075  
mail@dbminnovation.com  
www.dbminnovation.com/stb